

**REFERENCE :** KI0417

**SIZES :** U

**COMPOSITION :**

Main fabric : Polyester oxford 600D PVC backing 100% Polyester

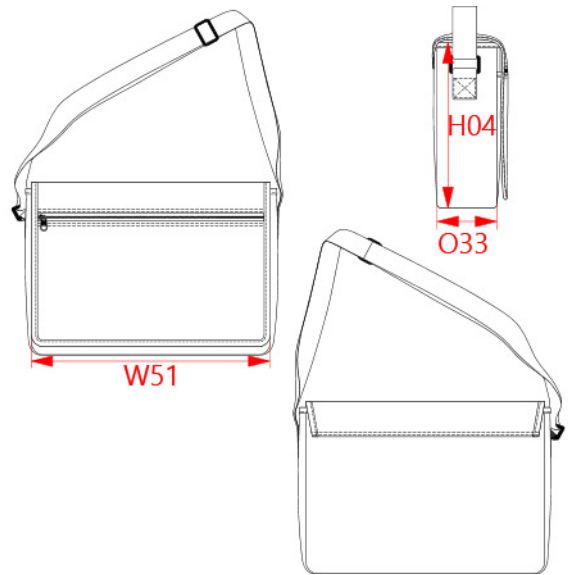
Lining : Poliester 190T PU backing As lining on back part of flap panel + inner compartment. 100% polyester

**TECHNICAL DETAIL :**

PVC backing

**ARTICLE WEIGHT :**

320 gr/pc



| DESCRIPTION         |                  |
|---------------------|------------------|
| <b>Français :</b>   | Sac Messenger    |
| <b>English :</b>    | Messenger bag    |
| <b>Nederlands :</b> | Messenger bag    |
| <b>Deutsch :</b>    | Messenger Tasche |
| <b>Español :</b>    | Bolsa messenger  |
| <b>Italiano :</b>   | Borsa messenger  |
| <b>Português :</b>  | Mala messenger   |

| COLORS     | PANTONE SERIGRAPHIE |
|------------|---------------------|
| Black      | Black               |
| Burnt lime | 583C                |
| Light grey | 2331C               |
| Navy       | 433C                |
| Orange     | 1495C               |
| Royal blue | 287C                |

| MEASUREMENT                           |    |
|---------------------------------------|----|
| Description                           | U  |
| <b>W51</b> Total width                | 40 |
| <b>O33</b> Deep of bottom part        | 10 |
| <b>H04</b> Hauteur coté / Side length | 27 |

| PACKING |   |
|---------|---|
| Box     | 40 pcs / box<br>U => L:52cm W:94cm H:36cm GW:14kg NW:12,8kg |