



REFERENCE : KP514

SIZES : U

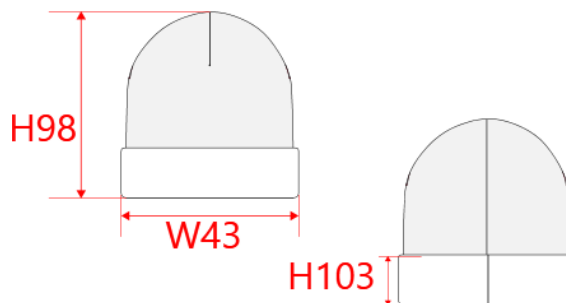
COMPOSITION :

Main fabric : 12GG Acrylic Knit Main part (outside color of the hat, on top) 100% Acrylic

Main fabric : 12GG Acrylic Knit Inside color of the ha. We can see outside on turn up. 100% acrylic

ARTICLE WEIGHT :

70gr/pc



| DESCRIPTION | |
|---|--|
| Français : Bonnet bicolore avec revers | |
| English : Bi-colour beanie hat with turn-up | |
| Nederlands : Tweekleurige muts met omslag | |
| Deutsch : Zweifarbige strickmütze mit überschlag | |
| Español : Gorro bicolor con dobladillo | |
| Italiano : Berretto sport | |
| Português : Gorro bicolor com dobra | |

| COLORS | PANTONE SERIGRAPHIE |
|------------------------|---------------------|
| Black / Red | Black / 200C |
| Black / White | Black / White |
| Royal blue / Yellow | 287C / 1225C |
| Royal blue / White | 287C / White |
| White / Navy | White / 433C |
| Yellow / Black | 1225C / Black |
| Black / Orange | Black / 1585C |
| Red / Yellow | 200C / 1225C |
| Lime / Black | 367C / Black |
| Dark grey / Light grey | 432C / 401C |

| MEASUREMENT | |
|--|-------|
| Description | U |
| H98 Front hat height | 20 |
| W43 1/2 largeur bas bonnet / 1/2 hat bottom width | 19,50 |
| H103 Height of the turn up of the hat | 7 |

| CARE LABEL | | | | |
|------------|--|--|--|--|
| | | | | |

| PACKING | |
|---------|--|
| Box | 100 pcs / box U => L:42cm W:30cm H:50cm GW:8kg NW:7kg |