



REFERENCE : KP601

SIZES : S/M_L/XL

COMPOSITION :

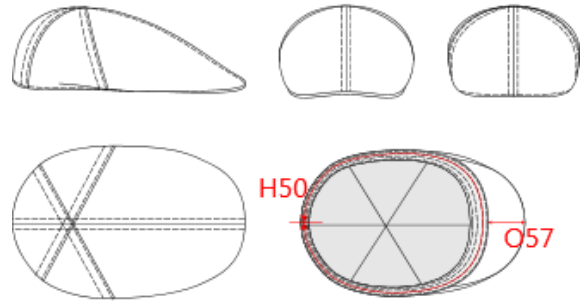
Main fabric : Brushed Cotton twill - 260 For outside. 100% cotton

Lining : Cotton twill - 175 For inside lining + inner sweatband. 100% cotton

Material 6 : Rubber quality For peak. 100%rubber

ARTICLE WEIGHT :

80gr/pc



DESCRIPTION
Français : Béret duckbill
English : Duckbill hat
Nederlands : Klassieke Duckbill hat
Deutsch : Klassischer basenmütze - Hut
Español : Gorra Duckbill
Italiano : Coppola invernale con visiera
Português : Boina

COLORS	PANTONE SERIGRAPHIE
Black	Black

MEASUREMENT						
Description	S/M	L/XL				
H50 Tour de tête / Head measurement	56	58				
O57 Deep of the peak on baseball cap	4,80	4,80				

CARE LABEL				

PACKING	
Box	100 pcs / box S/M=> L:56cm W:30cm H:46cm GW:9kg NW:8kg L/XL=> L:56cm W:30cm H:46cm GW:9kg NW:8kg