

PROACT.®

REFERENCE : PA699

SIZES : U

COMPOSITION :

Material 3 : Plastic quality 100%plastic

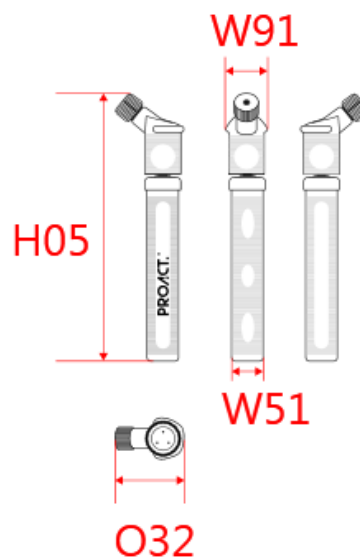
Material 2 : Steel quality For the needle. 100%steel

FABRIC CONSTRUCTION AND FINISHING :

Plastic

ARTICLE WEIGHT :

208 gr/pc



DESCRIPTION	
Français : Pompe double action	
English : Ball Pump	
Nederlands : Ballenpomp	
Deutsch : Doppelaktionspumpe	
Español : Bomba de aire de mano	
Italiano : pompa doppia azione	
Português : Bomba de dupla acção	

COLORS	PANTONE SERIGRAPHIE
Black	Black

MEASUREMENT	
Description	U
H05 Hauteur totale / Total height	21,50
W51 Total width (on bottom)	2,50
W91 Width on top	3,50
O32 Deep of top part	5,50

PACKING	
Box	72 pcs / box Size => L:38cm W:24cm H:42cm GW:16Kg NW:15Kg