

CARTON	PACK	NO. SKU'S
36	6	4

**Fabric**

100% Cotton Twill. 235gsm

Colours

Black, Khaki, Navy, Steel

Sizes

One size

Features

- Short waist Apron measuring 60cm wide by 33cm long
- 'Chino' waistband and pocket styling
- False fly detail for design
- Metal eyelets secure 90cm self fabric ties
- PR132 'Chino' Bib Apron complementing style

Country of Origin

Bangladesh

Carton Dimensions

40 cm x 60 cm x 20 cm

Carton Weight

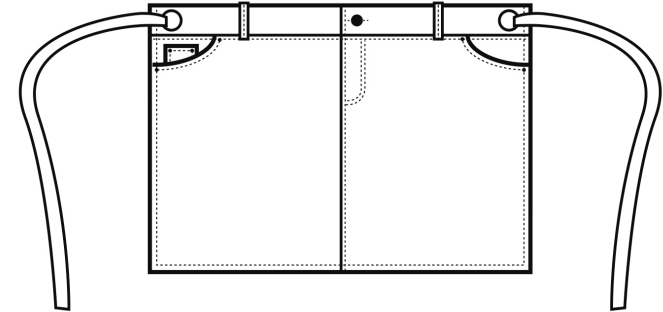
15kg approx.

VAT Code

6211 42 1000

PR133

'CHINO' WAIST APRON



Colour	Pantone	C	M	Y	K
Black	Black	0	0	0	0
Khaki	7503	0	12	35	25
Navy	2766	0	5	31	0
Steel	7545	56	30	17	52

Marketing Description

This short waist Apron is designed with classic 'Chino' style accents for a cool and edgy uniform solution for bars and restaurants. Pocket detailing for practicality, together with typical 'Chino' waistband and fastening details makes for a quirky little number for service staff. Team with the PR132 'Chino' Bib Apron for a great complementing style.



INDUSTRIAL LAUNDERING 85°C MAXIMUM